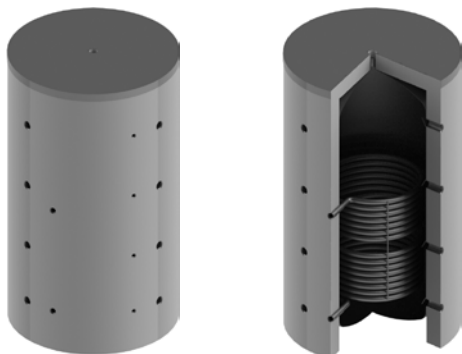


EnEV 730.02
ErP 812/2013
ErP 814/2013
CE



Bauart
Design | Structure | Struttura

Die Speicher werden aus hochwertigem Stahl nach EN 10025 gefertigt.

EN The storage tanks are made from high quality steel in accordance with EN 10025.

FR Les ballons sont fabriqués en acier de grande qualité, selon la norme EN 10025.

IT Gli accumulatori sono realizzati in acciaio pregiato secondo la norma EN 10025.

| | |
|--|-----------------|
| Betriebsdruck / Prüfdruck Operating pressure / test pressure Pression de service / Pression test Pressione d'esercizio / Pressione di collaudo | 3 bar / 4.5 bar |
| Einsatzgebiet Application Application Applicazione | 18°C – 95°C |

Lieferumfang
Delivery | Livraison | Consegna

| | |
|---|-----|
| Bedienungsanleitung Operation manual Mode d'emploi Istruzioni per l'uso | 1 x |
|---|-----|

Schutz vor Korrosion
Anti-corrosion protection | Protection contre la corrosion | Protezione anticorrosiva

Innen sind die Speicher unbehandelt. Aussen sind die Speicher mit einem Antikorrosionslack lackiert.

EN The storage tanks are untreated on the interior. The storage tanks are externally coated with a corrosion-protection paint.

FR À l'intérieur, les réservoirs ne sont pas traités. À l'extérieur, les réservoirs sont recouverts d'une laque anticorrosion.

IT L'interno degli accumulatori non è trattato. Gli accumulatori sono verniciati all'esterno con uno smalto resistente alla corrosione.

Wärmetauscher
Heat exchanger | Échangeur de chaleur | Scambiatore di calore

Ein eingeschweisster grossflächiger Wärmetauscher.

EN One welded large-surface heat exchanger.

FR Un échangeur de chaleur grande surface soudé.

IT Uno scambiatore di calore saldato di grande superficie.



Isolierung

Insulation | Isolation | Isolamento

TopShell

Isolierung aus Hightech Faservlies. Skaimantel mit Reißverschluss, inklusive Rosetten und Abdeckhaube. Brandschutzklasse B2. Silber. Lose geliefert.

Variante

Isolierung aus Hightech Faservlies. PS-Mantel und Hakenleiste, inklusive Rosetten und Abdeckhaube. Brandschutzklasse B2. Farbe Silber.

EN TopShell

Insulation made of high-tech fibre fleece. Skai jacket with zip, including cover plates and hood. Fire-resistance rating B2. Silver. Supplied loose.

Alternative

Insulation made of high-tech fibre fleece. PS jacket and hook rack, including cover plates and hood. Fire-resistance rating B2. Silver.

FR TopShell

Isolation en tissu fibreux high-tech Enveloppe en skai avec fermeture à glissière, y compris rosettes et capot. Classe allemande de protection incendie B2. Argent. Livrée non montée.

Alternative

Isolation en tissu fibreux high-tech Enveloppe en PS équipée d'un support à crochets préinstallé, y compris rosettes et capot. Classe allemande de protection incendie B2. Couleur argent.

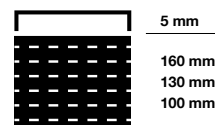
IT TopShell

Isolamento in tessuto non tessuto high-tech. Mantello in skai pre-assemblato con cerniera, dotato di rosette e calotta di copertura. Classe di resistenza antincendio B2. Argento. Consegna sfusa.

Alternativa

Isolamento in tessuto non tessuto high-tech. Mantello in PS e barra con ganci, rosette e calotta di copertura incluse. Classe di resistenza antincendio B2. Colore argento.

TopShell
B2; $\lambda = 0.038 \text{ W/(mK)}$



Pufferspeicher
Buffer storage tanks
Ballon tampon
Accumulatori tampone
PSR 500 – 5000

| | Verwendung Usage Utilisation Uso | 500 | 600 | 800 | 1000 | 1050 | 1250 | 1500 | 1600 | 1950 | 2000 | 2500 | 3000 | 4000 | 5000 |
|--------------|---|-------|-------|-------|-------|-------|-------|-------|-------|-------|-------|-------|-------|-------|-------|
| TopShell 100 | Wärmeverlust [kWh/24h] Heat losses Pertes thermiques Perdita di calore | 2.61 | 2.89 | 3.12 | 3.38 | 3.49 | 3.82 | - | - | - | - | - | - | - | - |
| | ErP-Label ErP class Classe ErP Classe ErP | C | C | C | C | C | C | (D) | (D) | - | - | - | - | - | - |
| | Zulassung CH Approval Certification Omologazione | X | • | • | • | • | • | X | X | X | X | X | X | X | X |
| | Zulassung EU Approval Certification Omologazione | • | • | • | • | • | • | X | X | • | • | • | • | • | • |
| | A $\overline{\downarrow}$ [mm] | 1680 | 1700 | 1740 | 2090 | 2050 | 2060 | 2200 | 1950 | 2010 | 2420 | 2330 | 2770 | 2885 | 2920 |
| | C Ø [mm] | 850 | 900 | 990 | 990 | 1050 | 1150 | 1200 | 1300 | 1450 | 1300 | 1450 | 1450 | 1600 | 1800 |
| | Art. Nr. 300106... Part no. Réf. Art.n. | 0501 | 0601 | 0801 | 1001 | 1051 | 1251 | 1501* | 1601* | 1951 | 2001 | 2501 | 3001 | 4001 | 5001 |
| TopShell 130 | Wärmeverlust [kWh/24h] Heat losses Pertes thermiques Perdita di calore | - | - | - | - | - | - | 4.00 | 4.08 | - | - | - | - | - | - |
| | ErP-Label ErP class Classe ErP Classe ErP | - | - | - | - | - | - | C | C | - | - | - | - | - | - |
| | Zulassung CH Approval Certification Omologazione | X | • | • | • | • | • | • | • | X | X | X | X | X | X |
| | Zulassung EU Approval Certification Omologazione | • | • | • | • | • | • | • | • | • | • | • | • | • | • |
| | A $\overline{\downarrow}$ [mm] | 1710 | 1730 | 1770 | 2120 | 2080 | 2090 | 2230 | 1980 | 2040 | 2450 | 2360 | 2800 | 2915 | 2950 |
| | C Ø [mm] | 910 | 960 | 1050 | 1050 | 1110 | 1210 | 1260 | 1360 | 1510 | 1360 | 1510 | 1510 | 1660 | 1860 |
| | Art. Nr. 300106... Part no. Réf. Art.n. | 0502* | 0602* | 0802* | 1002* | 1052* | 1252* | 1502 | 1602 | 1952* | 2002* | 2502* | 3002* | 4002* | 5002* |
| TopShell 160 | Wärmeverlust [kWh/24h] Heat losses Pertes thermiques Perdita di calore | - | - | - | - | - | - | - | - | - | - | - | - | - | - |
| | ErP-Label ErP class Classe ErP Classe ErP | - | - | - | - | - | - | - | - | - | - | - | - | - | - |
| | Zulassung CH Approval Certification Omologazione | X | • | • | • | • | • | • | • | • | • | • | • | • | • |
| | Zulassung EU Approval Certification Omologazione | • | • | • | • | • | • | • | • | • | • | • | • | • | • |
| | A $\overline{\downarrow}$ [mm] | 1710 | 1760 | 1800 | 2150 | 2110 | 2120 | 2260 | 2010 | 2070 | 2480 | 2390 | 2830 | 2945 | 2980 |
| | C Ø [mm] | 970 | 1020 | 1110 | 1110 | 1170 | 1270 | 1320 | 1420 | 1570 | 1420 | 1570 | 1570 | 1720 | 1920 |
| | Art. Nr. 300106... Part no. Réf. Art.n. | 0503* | 0603* | 0803* | 1003* | 1053* | 1253* | 1503* | 1603* | 1953 | 2003 | 2503 | 3003 | 4003 | 5003 |

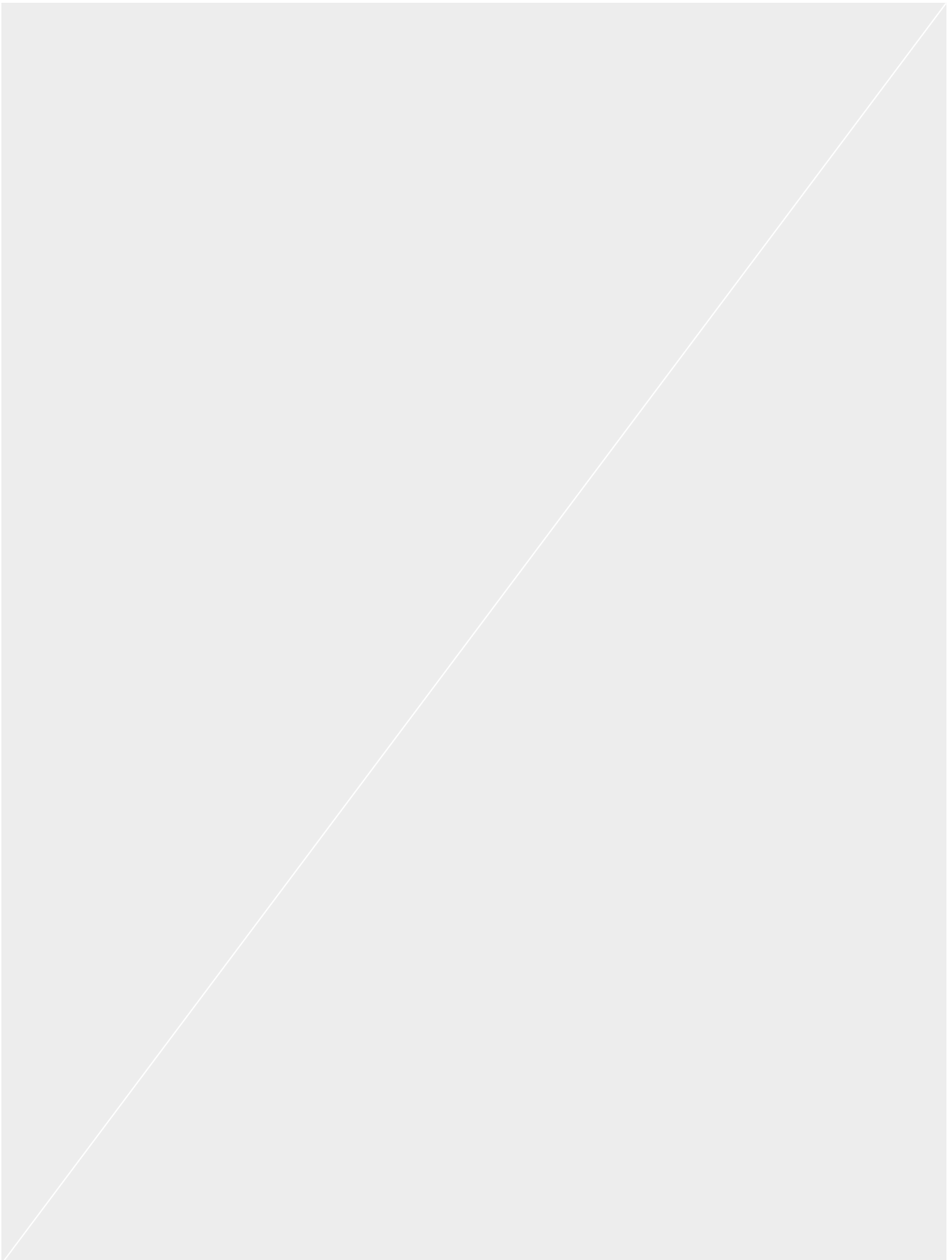
* Keine Lagerware. Lieferzeit 4–6 Wochen

Not in stock. Delivery time 4–6 weeks | Marchandise non stockée. Délai: 4 à 6 semaines | Merce non a magazzino. Tempistiche di consegna 4–6 settimane

Nicht zugelassen | None approved | Non agréée | Non omologato

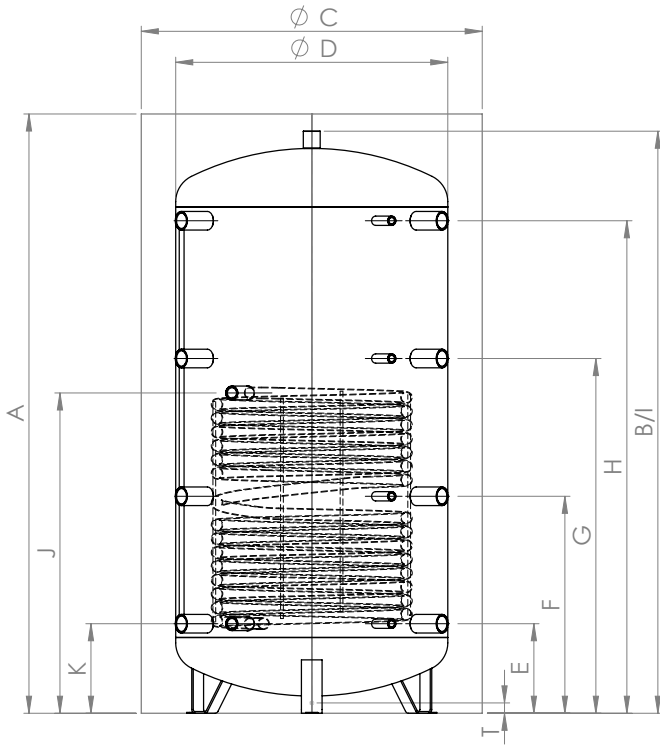
Zugelassen (Empfohlene Isolierung)
Approved (Recommended insulation) | Agréée (Isolation recommandée) | Omologato (Isolamento consigliato)

Zugelassen (oberhalb Mindestanforderung)
Approved (Exceeds minimum requirements) | Agréée (Supérieure aux exigences minimales requises) | Omologato (Requisito minimo superiore)

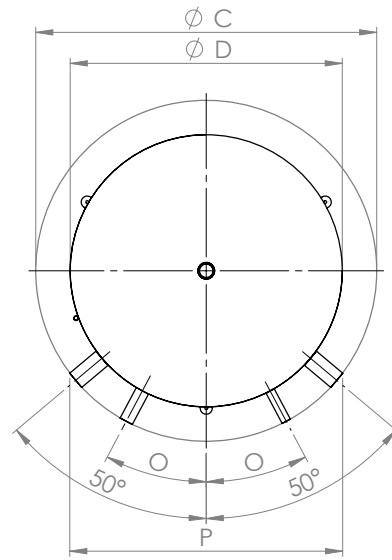


Pufferspeicher
Buffer storage tanks
Ballon tampon
Accumulatori tampone
PSR 500 – 5000

500 – 5000



500 – 5000



500 – 5000

| Verwendung Usage Utilisation Uso | Dimension Dimension Dimensione | 500 | 600 | 800 | 1000 | 1050 | 1250 | 1500 | 1600 | 1950 | 2000 | 2500 | 3000 | 4000 | 5000 | |
|--|--------------------------------------|--------|--------|--------|--------|--------|--------|--------|--------|--------|--------|--------|--------|--------|--------|------|
| Inhalt Capacity Contenance Contenuto | l | 480 | 560 | 718 | 887 | 996 | 1266 | 1500 | 1555 | 2005 | 2021 | 2304 | 2852 | 3759 | 5003 | |
| Glattrohrwärmetauscher Heating coil Échangeurs de chaleur Serpentino | m ² | 2.3 | 1.8 | 2.8 | 3.1 | 3.1 | 3.1 | 3.6 | 3.7 | 3.0 | 4.2 | 4.2 | 4.2 | 5.4 | 6.1 | |
| | l | 15.1 | 11.8 | 18.3 | 20.3 | 20.3 | 20.3 | 23.6 | 24.3 | 19.7 | 27.5 | 27.5 | 27.5 | 35.3 | 39.9 | |
| Kippmass Tilted dimension Cote de basculement Altezza in raddrizzamento | mm | 1665 | 1690 | 1740 | 2085 | 2020 | 2070 | 2195 | 1930 | 2060 | 2420 | 2395 | 2780 | 2935 | 3035 | |
| P Einbringmass Delivery dimensions Cote de mise en place Ingombro | mm | 100 mm | 690 | 740 | 800 | 800 | 850 | 950 | 1000 | 1100 | 1250 | 1100 | 1250 | 1250 | 1400 | 1600 |
| | | 130 mm | 740 | 780 | 840 | 840 | 890 | 970 | 1010 | 1100 | 1250 | 1100 | 1250 | 1250 | 1400 | 1600 |
| | | 160 mm | 780 | 820 | 890 | 890 | 930 | 1100 | 1050 | 1130 | 1250 | 1130 | 1250 | 1250 | 1400 | 1600 |
| B Höhe ohne Isolierung Height without insulation Hauteur sans isolation Altezza senza isolamento | mm | 1630 | 1650 | 1690 | 2040 | 2000 | 2010 | 2150 | 1900 | 2060 | 2370 | 2280 | 2720 | 2835 | 2870 | |
| D Ø ohne Isolierung without insulation sans isolation senza isolamento | mm | 650 | 700 | 790 | 790 | 850 | 950 | 1000 | 1100 | 1250 | 1100 | 1250 | 1250 | 1400 | 1600 | |
| E* Anschluss 1 Connection Raccord Collegamento | - mm | 220 | 230 | 260 | 310 | 310 | 310 | 380 | 320 | 495 | 320 | 535 | 380 | 505 | 400 | |
| | G" | 1 1/2" | 1 1/2" | 1 1/2" | 1 1/2" | 1 1/2" | 1 1/2" | 2" | 2" | 2" | 2" | 2" | 2" | 2" | 2" | |
| | - G" | 1/2" | 1/2" | 1/2" | 1/2" | 1/2" | 1/2" | 1/2" | 1/2" | 1/2" | 1/2" | 1/2" | 1/2" | 1/2" | 1/2" | |
| F* Anschluss 2 Connection Raccord Collegamento | - mm | 620 | 610 | 630 | 745 | 745 | 745 | 825 | 740 | 875 | 900 | 975 | 1020 | 1110 | 1100 | |
| | G" | 1 1/2" | 1 1/2" | 1 1/2" | 1 1/2" | 1 1/2" | 1 1/2" | 2" | 2" | 2" | 2" | 2" | 2" | 2" | 2" | |
| | - G" | 1/2" | 1/2" | 1/2" | 1/2" | 1/2" | 1/2" | 1/2" | 1/2" | 1/2" | 1/2" | 1/2" | 1/2" | 1/2" | 1/2" | |
| G* Anschluss 3 Connection Raccord Collegamento | - mm | 1010 | 990 | 1030 | 1250 | 1250 | 1250 | 1350 | 1150 | 1255 | 1490 | 1415 | 1680 | 1860 | 1810 | |
| | G" | 1 1/2" | 1 1/2" | 1 1/2" | 1 1/2" | 1 1/2" | 1 1/2" | 2" | 2" | 2" | 2" | 2" | 2" | 2" | 2" | |
| | - G" | 1/2" | 1/2" | 1/2" | 1/2" | 1/2" | 1/2" | 1/2" | 1/2" | 1/2" | 1/2" | 1/2" | 1/2" | 1/2" | 1/2" | |
| H* Anschluss 4 Connection Raccord Collegamento | - mm | 1390 | 1380 | 1430 | 1710 | 1710 | 1710 | 1760 | 1570 | 1635 | 2020 | 1855 | 2330 | 2410 | 2520 | |
| | G" | 1 1/2" | 1 1/2" | 1 1/2" | 1 1/2" | 1 1/2" | 1 1/2" | 2" | 2" | 2" | 2" | 2" | 2" | 2" | 2" | |
| | - G" | 1/2" | 1/2" | 1/2" | 1/2" | 1/2" | 1/2" | 1/2" | 1/2" | 1/2" | 1/2" | 1/2" | 1/2" | 1/2" | 1/2" | |
| I Anschluss oben Connection above Raccord du haut Collegamento superiore | - mm | 1630 | 1650 | 1690 | 2040 | 2050 | 2010 | 2150 | 1900 | 2010 | 2370 | 2280 | 2720 | 2835 | 2870 | |
| | G" | 1 1/4" | 1 1/4" | 1 1/4" | 1 1/4" | 1 1/4" | 1 1/4" | 1 1/4" | 1 1/4" | 1 1/4" | 1 1/4" | 1 1/4" | 1 1/4" | 1 1/4" | 1 1/4" | |
| J VL Glattrohrwärmetauscher Heating coil Échangeurs de chaleur Serpentino | - mm | 1120 | 790 | 930 | 1030 | 990 | 1015 | 1180 | 970 | 1025 | 1120 | 1250 | 1430 | 1555 | 1580 | |
| | G" | 1" | 1" | 1" | 1" | 1" | 1" | 1" | 1" | 1" | 1" | 1" | 1" | 1" | 1" | |
| K RL Glattrohrwärmetauscher Heating coil Échangeurs de chaleur Serpentino | - mm | 220 | 250 | 260 | 310 | 310 | 300 | 380 | 320 | 495 | 320 | 535 | 480 | 505 | 580 | |
| | G" | 1" | 1" | 1" | 1" | 1" | 1" | 1" | 1" | 1" | 1" | 1" | 1" | 1" | 1" | |
| T Bodenmuffe Ground fitting Manchon de fond Manicotto a pavimento | - mm | - | - | - | - | - | - | - | - | 110 | - | 110 | 100 | 75 | 50 | |
| | G" | - | - | - | - | - | - | - | - | 1 1/4" | - | 1 1/4" | 1 1/4" | 1 1/4" | 1 1/4" | |
| O Anordnung Fühler Positioning sensor Disposition sonde Disposizione sensore | ° | 23.5 | 28.0 | 28.0 | 28.0 | 29.8 | 32.0 | 33.0 | 34.5 | 36.0 | 34.5 | 36.0 | 36.0 | 37.5 | 39.0 | |
| Gewicht Weight Poids Peso | kg | 113 | 111 | 138 | 157 | 161 | 204 | 222 | 227 | 256 | 264 | 303 | 350 | 446 | 523 | |
| Art.Nr. 100 mm 200105... Part no. Réf. Art.n. | | 0501 | 0601 | 0801 | 1001 | 1051 | 1251 | 1501 | 1601 | 1951 | 2001 | 2501 | 3001 | 4001 | 5001 | |
| Art.Nr. 130 mm 200105... Part no. Réf. Art.n. | | 0502 | 0602 | 0802 | 1002 | 1052 | 1252 | 1502 | 1602 | 1952 | 2002 | 2502 | 3002 | 4002 | 5002 | |
| Art.Nr. 160 mm 200105... Part no. Réf. Art.n. | | 0503 | 0603 | 0803 | 1003 | 1053 | 1253 | 1503 | 1603 | 1953 | 2003 | 2503 | 3003 | 4003 | 5003 | |
| Elektroheizung zum Einschrauben* Screw-in Immersion heater* Résistances à visser* Resistenza elettrica da avvitare* | bis kW to à a | 6.0 | 7.5 | 9.0 | 9.0 | 9.0 | 9.0 | 9.0 | 9.0 | 9.0 | 9.0 | 9.0 | 9.0 | 9.0 | 9.0 | |

*Einbaumöglichkeit: 1 x Elektroheizung zum Einschrauben
Installation option: 1 x Screw-in Immersion heater | Option d'installation: 1 x Résistances à visser | Opzione di installazione: 1 x Resistenza elettrica da avvitare